



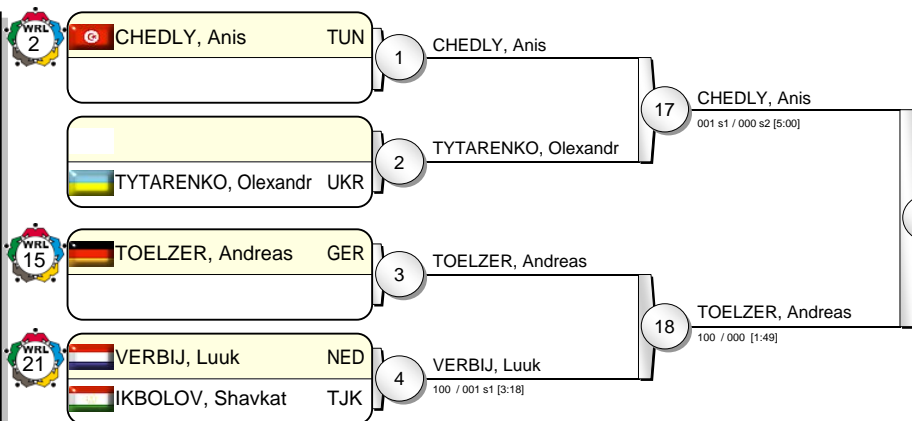
IJF Grand Slam Moscow 2009

(RUS Moscow, 30-31 May 2009)

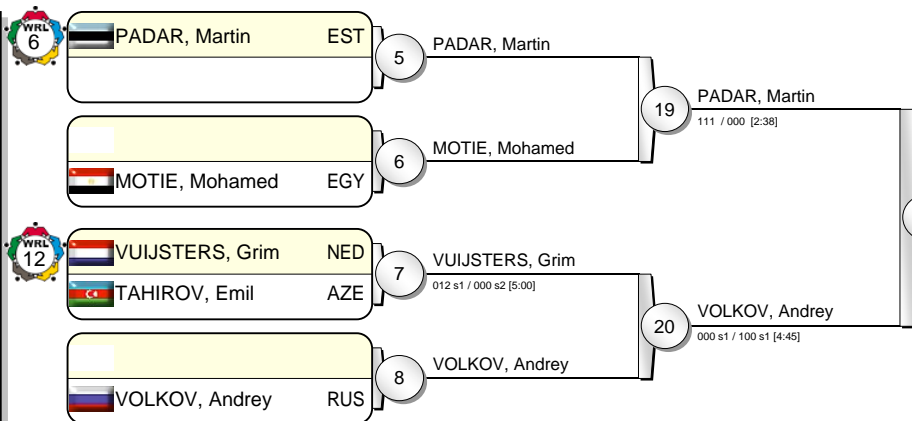
+100 kg

20 Judoka

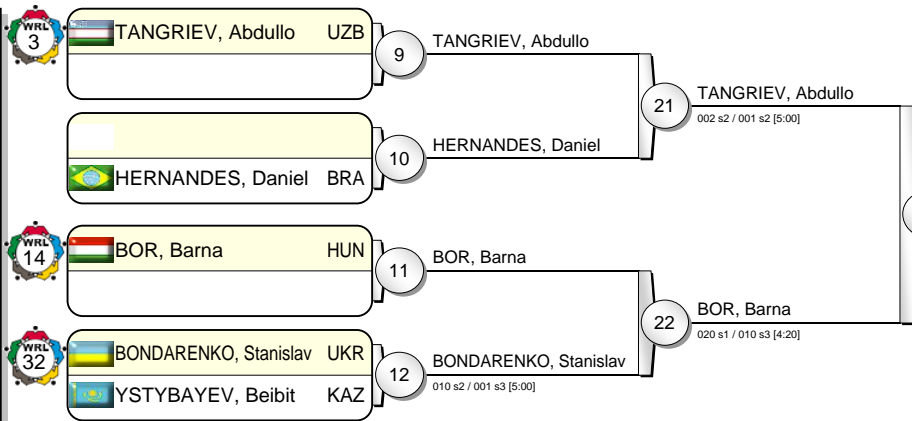
Pool A



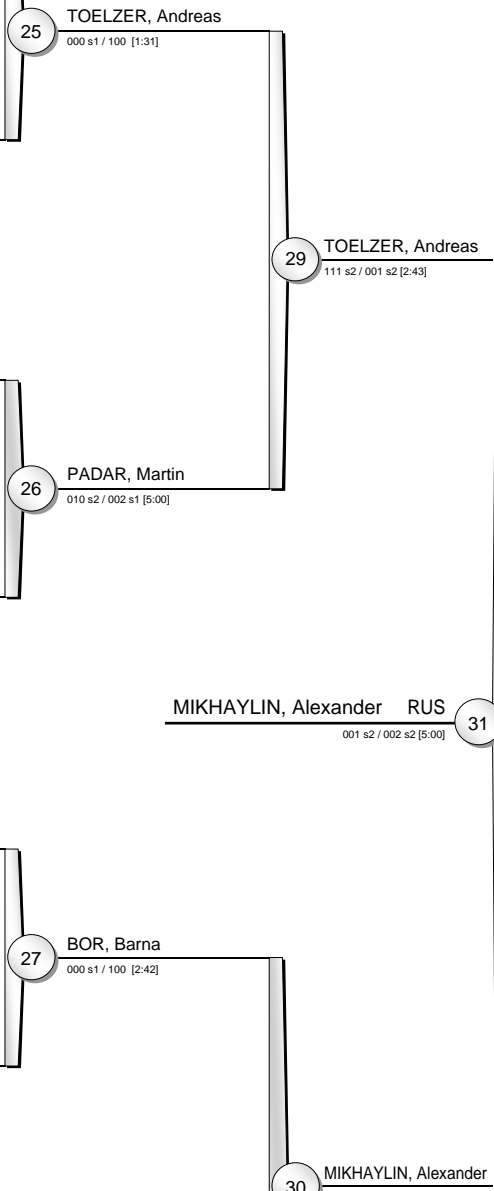
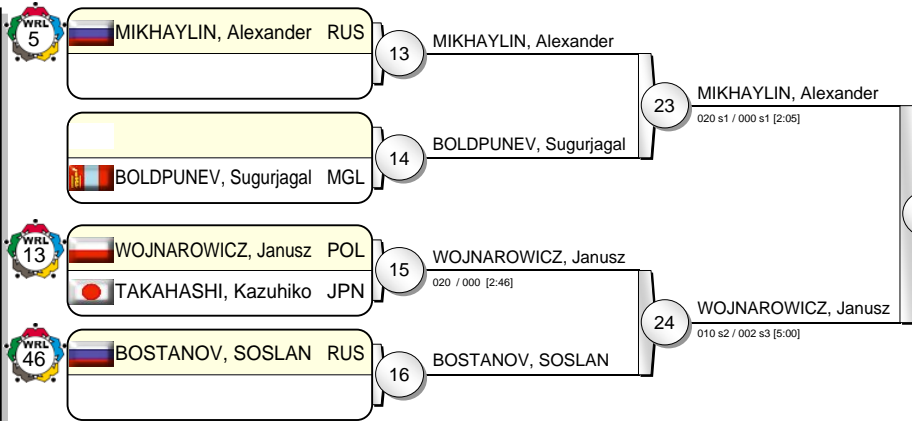
Pool B



Pool C



Pool D



MIKHAYLIN, Alexander RUS 31 (001 s2 / 002 s2 [5:00])

Results

- MIKHAYLIN, Alexander RUS
- TOELZER, Andreas GER
- PADAR, Martin EST
- BOR, Barna HUN
- CHEDLY, Anis TUN
- VOLKOV, Andrey RUS
- TANGRIEV, Abdullo UZB
- WOJNAROWICZ, Janusz POL

